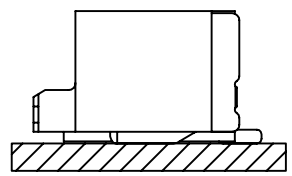
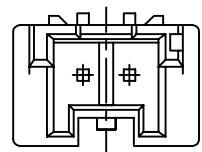


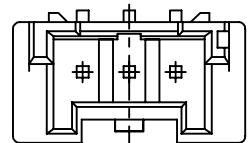
10P~16P



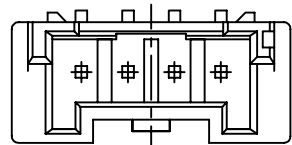
Assembly Layout



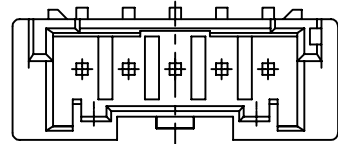
2P



3P



4P



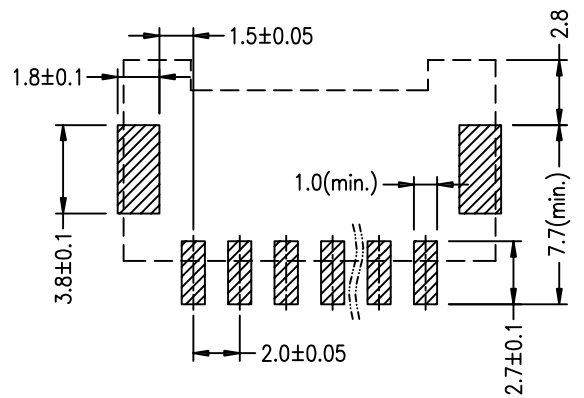
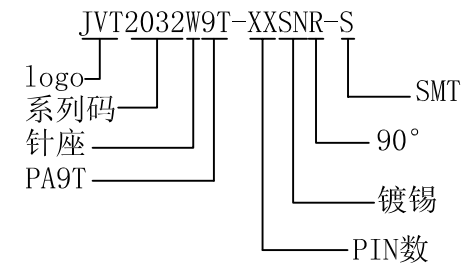
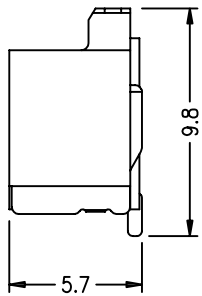
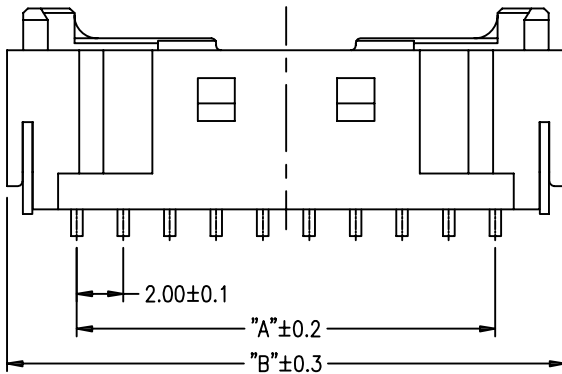
5P~9P

SPECIFICATION

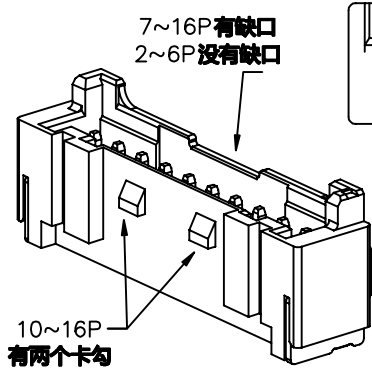
- Voltage rating: 250V AC, DC
- Current Rating: 3A, AC, DC
- Withstand voltage: 800V AC/minute
- Contact resistance: 10mΩ max
- Insulation resistance: 1000MΩ min
- Temperature range: -25° C ~ +85° C

WAFER

- Material: PA9T UL94V-0
- Contact Pin: Brass
- Solder tab: Brass



P.C.B LAYOUT



Poles	DIM.A	DIM.B	Poles	DIM.A	DIM.B
2P	2.0	8.0	10P	18.0	24.0
3P	4.0	10.0	11P	20.0	26.0
4P	6.0	12.0	12P	22.0	28.0
5P	8.0	14.0	13P	24.0	30.0
6P	10.0	16.0	14P	26.0	32.0
7P	12.0	18.0	15P	28.0	34.0
8P	14.0	20.0	16P	30.0	36.0
9P	16.0	22.0	-	-	-

GENERAL TOLERANCE	
0	±0.35
.0	±0.30
.00	±0.20
.000	±0.10

乔业电子有限公司
 CHYAO YEE CONNECTORS CO., L TD

版本: _____ 日期: _____ 单位: mm 比例: 1:1 日期: 20140412

核准	审核	绘图	品名	PA2.0 WAFER 卧贴		
	bolly	李勇军	料号	JVT2032W9T-XXSNR-S		
			图名	005	版本	A